

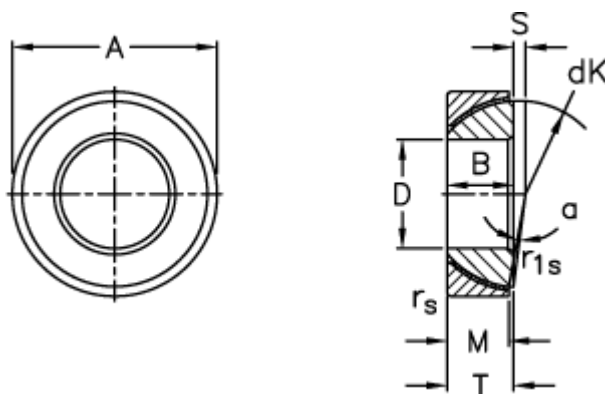
Data Sheet



Article number: 03510045

Description: Fluro Rod end GE 45SW

Measures



A	= 75 0 -0,016	Static load C0 (kN) = 426	
B	= 20	T	= 20 +0,25 -0,40
D	= 45 0 -0,012	Tilt angle	= 3
dK	= 68.5	Weight	= 416
Dynamic load C (kN)	= 213		
M	= 18		
rs, r1s min	= 1		
S	= 3.5		